

# VC-A50P IP PTZ Camera

**Lumens**<sup>®</sup>  
Your Success, Our Passion!

The Lumens<sup>®</sup> VC-A50P HD Pan/Tilt/Zoom (PTZ) IP camera is equipped with a professional 1/2.8 inch image sensor with Full HD 1080p output at 60 fps. It's power supplied through the Power over Ethernet (PoE) providing an economical and easy solution. The superior 20x optical zoom lens, excellent white balance, and exposure mode delivers a clear image even in low light or the extreme contrast of brightness and darkness in a lecture hall.

The VC-A50P has different interfaces like Ethernet, HDMI, and 3G-SDI. It supports live broadcasting with MJPEG, H.264 / SVC format and further more its low-latency is less than 120ms. These features not only allow for simultaneous image outputs, they also result in the best image quality and is compatible with all video equipment. The camera covers a wide shooting angle and achieves high-speed, quiet, and precise positioning with smooth PTZ operations.

The VC-A50P is applicable for lecture recording, videoconferencing, and live broadcasting.

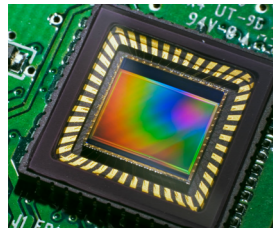
**SRT** | SECURE  
RELIABLE  
TRANSPORT



## Key Features

- Full HD 1080p signal output format with a high frame rate of 60 fps
- Supports live broadcasting (MJPEG, H.264 support SVC)
- Supports PoE (Power Over Ethernet) using network cables supply power
- Supports ONVIF protocol
- Supports NDI<sup>®</sup>|HX compatibility for NDI-based video production
- Supports SRT (Secure Reliable Transport) protocol that optimizes streaming performance
- Ethernet low latency ( < 120 ms)
- Ethernet, HDMI, and 3G-SDI synchronous image outputs
- Audio input supports AAC encoding with 44.1/48 K sampling frequency
- Free Lumens<sup>®</sup> VMS software for controlling the cameras remotely

## More Details



### Image Quality

The VC-A50P is equipped with a professional 1/2.8 inch image sensor with Full HD 1080p output resolution. The sensor provides high color reproduction, high-definition signals, and crystal-clear image quality.



### Supports PoE+ for Easy Installation

Power supplied through the PoE+ (Power over Ethernet) without additional power supply and cables that bring cost-effective and simple installation.



### Wide Range Pan/Tilt/Zoom Action

The VC-A50P has a wide shooting area (pan angle from -170° to +170° ; tilt angle from -30° to +90°), as well as quiet, fast, and precise positioning movements.



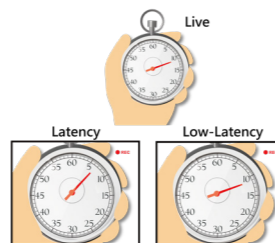
### Multiple Signal Interface

The VC-A50P has multiple interfaces like Ethernet, HDMI, and 3G-SDI for simultaneous image outputs.



### Audio Input Support

The VC-A50P supports stereo audio input and AAC encoding transmission through the Internet, SDI and HDMI to extend the distance of the audio device. Through this transmission, sound quality is enhanced and installation costs are reduced.



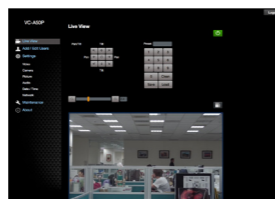
### Low-Latency Streaming

The VC-A50P supports MJPEG / H.264 SVC video compression format which reduce the bandwidth and it also supports low-latency and the fast response time is less than 120 ms so that allows human-unnoticeable delays between live image and streaming video.



### RS-232 / RS-422 Remote Control

The camera's settings and PTZ control functions can be performed remotely at any location and at high communication speeds via the RS-232 / RS-422 interface.



### Remote image monitoring for IP Control

The built-in web page allow you to use an IP browser to remotely view and control camera using a PC, Mac or mobile devices. IP video can be transmitted to up to 5 terminals.



### Free Camera Control Software

Free Lumens® camera control software for controlling Lumens PTZ cameras and preview function supports 1080p with 60fps video output. Easy to adjust camera pan, tilt, zoom operation, pre-set and image setting.



### Support an upgrade for NDI®|HX compatibility

VC-A50P can be upgraded to support NDI®|HX technology for NDI-based video production.

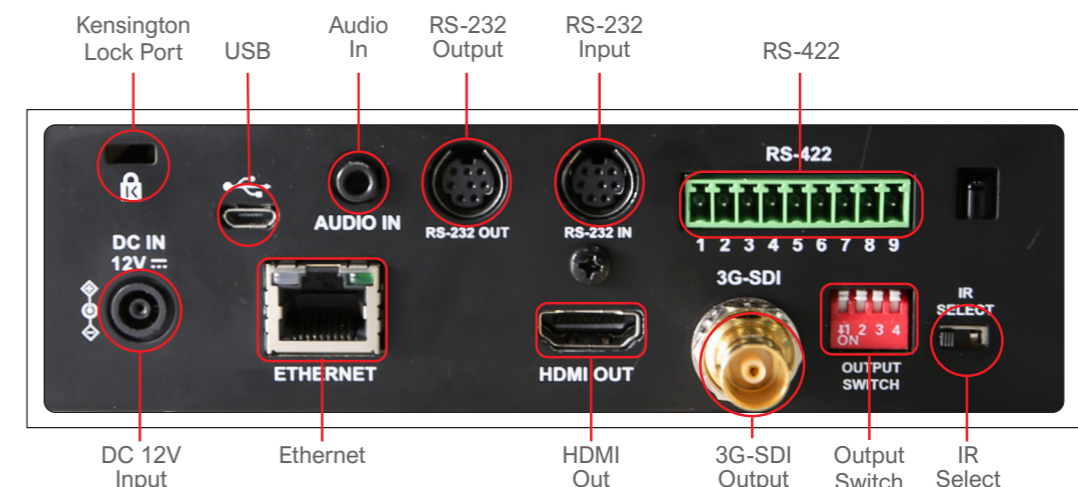
## IP Streaming Format

Stream	CHANNEL 1		CHANNEL 2
Settings	H.264	MJPEG	H.264 / MJPEG
Resolution	1920x1080	1920x1080	D1
	1280x720	1280x720	
Frame Rate	60 / 59.94 Hz	60 / 30 / 15	30 / 15
	50 Hz	50 / 25	25
Bit Rate	20000 kbps~64 kbps		8000 kbps~64 kbps
Audio Transmission	AAC / G.711		
PoE+	Yes		

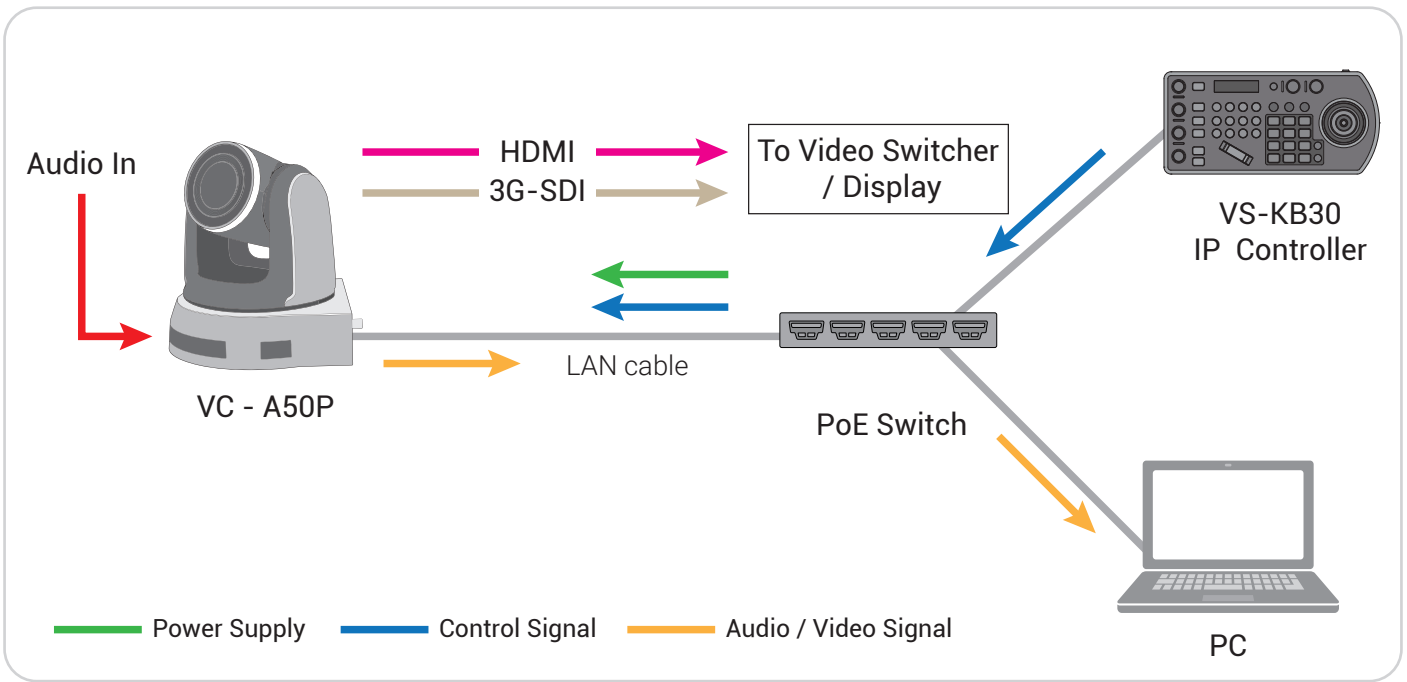
## Product Specifications

Sensor	1/2.8" 2.41MP CMOS	Exposure Control	Auto / Manual
Video Format	1080p 60 / 59.94 / 50 fps,	WDR	Yes
	1080i 60 / 59.94 / 50 fps,	3D NR	Yes
	1080p 30 / 29.97 / 25 fps,	Image Flip	Yes
	720p 60 / 59.94 / 50 fps,	Preset Positions	128
		Control Interface	RS-232 / RS-422 / Ethernet
Video Output (HD) Interface	3G-SDI / HDMI / Ethernet	Control Protocol	VISCA / PELCO D / ONVIF
Optical Zoom	20x	Tally Light	Yes
Horizontal Viewing Angle	57°	PoE	PoE+ (IEEE802.3at)
Panning Angle	+170° ~ -170°	Video Stream	RTSP / RTMP / MPEG-TS / SRT
Panning Speed	120°/sec	Video Compression	MJPEG / H.264 SVC
Tilting Angle	+90° ~ -30°	Audio Input	Line In / MIC In
Tilting Speed	120°/sec	Audio Output	Ethernet / SDI / HDMI
Aperture	F1.6 ~ F3.8	IR Pass-through	Yes
Focal Length	5.33mm~110mm	IR Receiver	Yes
Shutter Speed	1/1 ~ 1/10,000 sec	IR Remote Control	Yes
Minimum Object Distance	1.5m (Wide / Tele)	Power Consumption	PoE : 17.5W DC In : 16W
Video S/N Ratio	> 50dB	Weight	4.4 lbs (2 kg)
Minimum Illumination	1.0 lux (F1.6, 50IRE, 30fps)	Dimensions	6.9" x 7.3" x 7.3" (174 x 186 x 187 mm )
Focus System	Auto / Manual		
Gain Control	Auto / Manual		
White Balance	Auto / Manual		

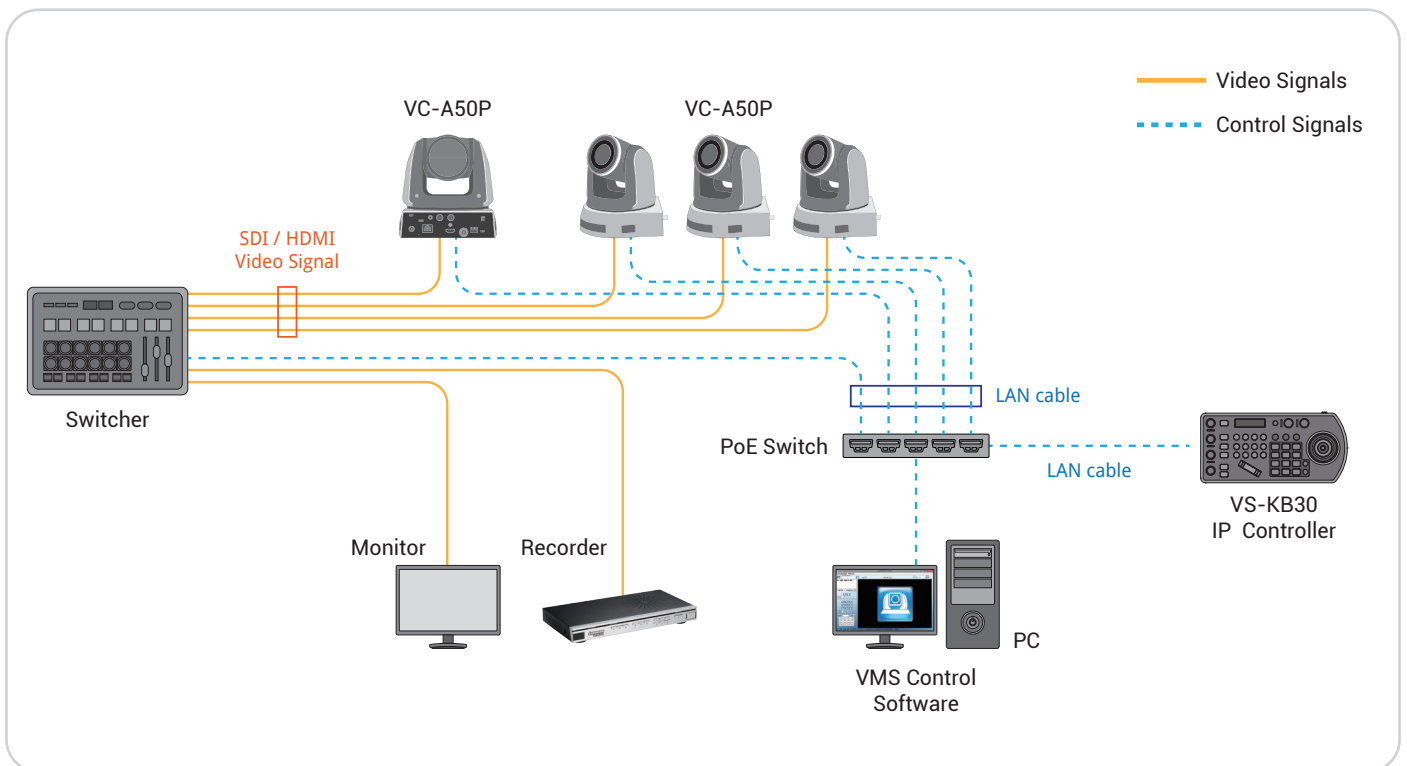
## I/O CONNECTIONS



## Single Camera Connection



## Multi-Camera Connection



**Lumens**<sup>®</sup>

Your Success, Our Passion!

[www.MyLumens.com](http://www.MyLumens.com)

Lumens Integration, Inc.  
4116 Clipper Court  
Fremont, CA, 94538  
Phone: +1-866-600-0988  
Fax: +1-510-252-1389

Lumens Europe  
De Nayerstraat 17 9470  
Denderleeuw Belgium  
Phone: +32-473-58-38-95  
Fax: +32-2-452-76-00

